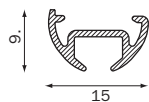


2600

profile

2600
105 gr/m



bending

radius

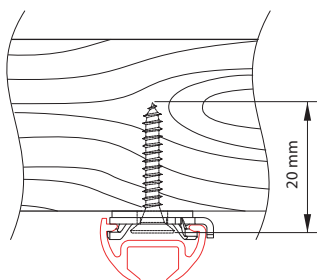
- R 10 (1012)
- R 10 (1015)
- R >80 (1018)

filler position

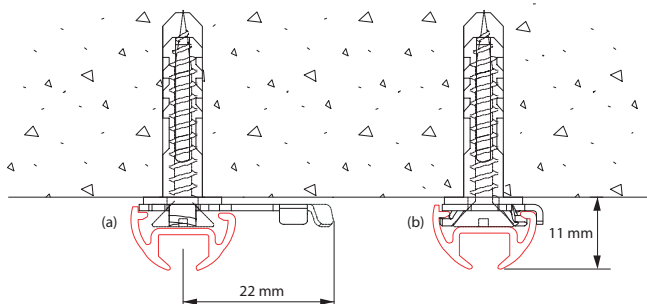


Mounting

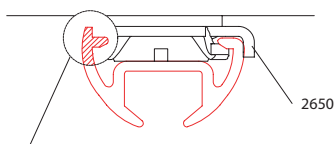
2600



ceiling mounting 2600 with ceiling mounting clamp 2650 + washer and 20mm wood screw 2614



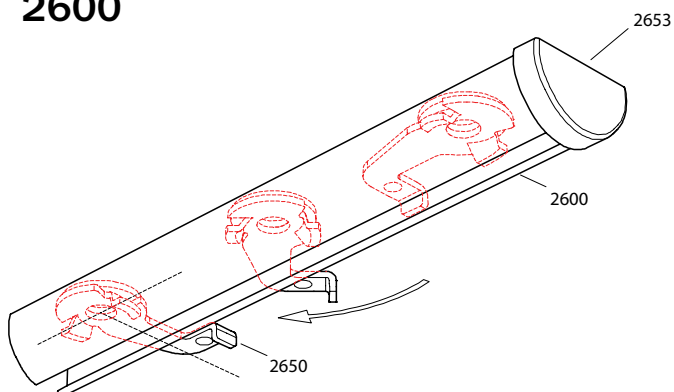
ceiling mounting 2600 with ceiling mounting clamp 2650 + washer, before (a) and after (b) fastening the ceiling mounting clamp



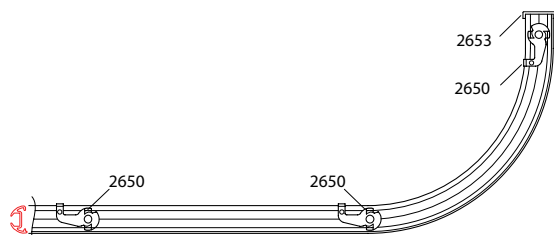
frontal face of the 2600: minimal gap thanks to extra flange

Application example

2600



use of ceiling mounting clamps 2650 for an unobtrusive ceiling placement of the 2600 rail



when mounting a curved 2600 rail, place a ceiling mounting clamp before as well as after the curve

G-Standard

