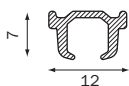


2400

profile

2400
88 gr/m



bending

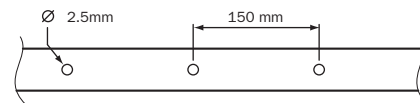
radius
R 10 (1012)
R 10 (1015)
R > 80 (1018)

filler position



punching: type G

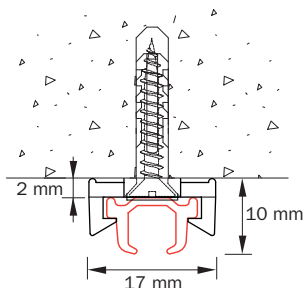
punch holes: diameter 2,5mm, every 150 mm



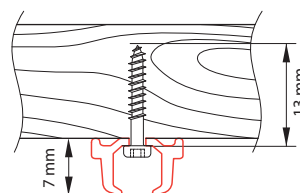
2012 click-in glider can only be applied to the 2400 when the ceiling clip 2450 is used. When applied to a punched rail, placed with screws, the click-in glider could hit the screw heads.

carrier sets with or without overlap, manually operated (small channel side) will fit under the screws.

Mounting ceiling



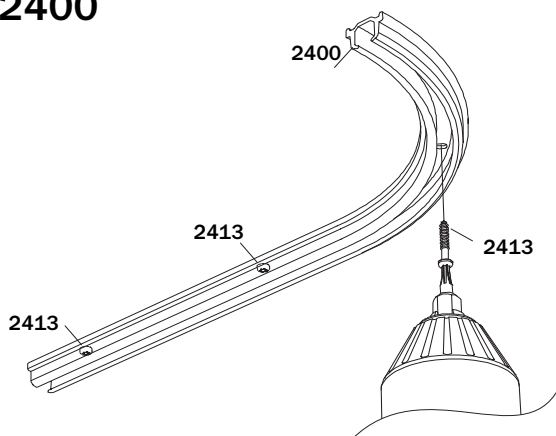
ceiling mounting 2400 with ceiling clip 2450 and sunken head screw, max. screw diameter 3,5 mm.



ceiling mounting 2400 with 13mm Torx screw 2413.

Application example

2400



application of the Torx screws during ceiling mounting of a pre-punched 2400 rail

G-Standard

